



FEATURES

	BH	BK
» Excellent Separation of Caller and Talent Voice	•	•
» 16 bit DSP Technology	•	
» Bluetooth Wireless Technology with HD Voice (Wide-Band Speech)		•
» Auto-Answer (Switchable On/Off)	•	
» Proprietary Auto Null Algorithm (50 dB null)	•	
» Send XLR Line Input	•	•
» Mic/Line Switch	•	•
» 3.5mm Mono Line Input	•	•
» 3.5mm Stereo Line Input		•
» Caller XLR Line Output	•	•
» 3.5mm Stereo Line Output	•	•
» 3.5mm Mono Mic Level Output		•
» 3.5 mm Stereo Headphone Jack	•	•
» Send and Caller Signal Level LEDs	•	•
» Send and Caller Volume Controls	•	•
» Guest Module Remote Jack	•	

Our Most Popular Digital Hybrid.

BlueKeeper pairs to your cell phone like a Bluetooth wireless headset. Simply connect your favorite microphone and headphones and enjoy an immediate improvement at both ends of the call. The professional microphone preamplifier provides a dramatic improvement in sound quality to the caller (or back to the station if you are away from the studio). The caller audio comes in loud and clear over the convenient front panel headphone jack.

Recording Interviews. BlueKeeper allows you to send mic and line level signals into your wireless phone while maintaining excellent separation between your voice and the caller. The stereo output jack on the back of the unit provides your voice on one channel (in full fidelity) and the caller's voice on the other channel. Connect this jack to your sound card or recorder. It's perfect for radio or podcast interview recordings. The balanced XLR output jack contains only the caller's voice. Connect to your mixing console or even to a PA system for everyone to hear.

Connections. The 3.5 mm stereo line input jack allows recordings to be sent into your Bluetooth device. The 3.5 mm stereo line output jack provides your full bandwidth send mix on the left channel and Bluetooth caller audio on the right channel. The headphone output gives you a mix of the XLR input, 3.5 mm input, and Bluetooth audio. This same overall mix is also provided on a 3.5 mm mono mic level output jack. This output is perfect for connection to the mic input jack on voice recorders or notebook computers. Your voice will remain in full bandwidth high fidelity while the caller's voice, well... it sounds as good as it can from a mobile phone.

BlueKeeper also pairs to Bluetooth equipped sound cards and music players in full bandwidth stereo A2DP mode.

Broadcast Host shown for comparison

BH = Broadcast Host **BK** = BlueKeeper



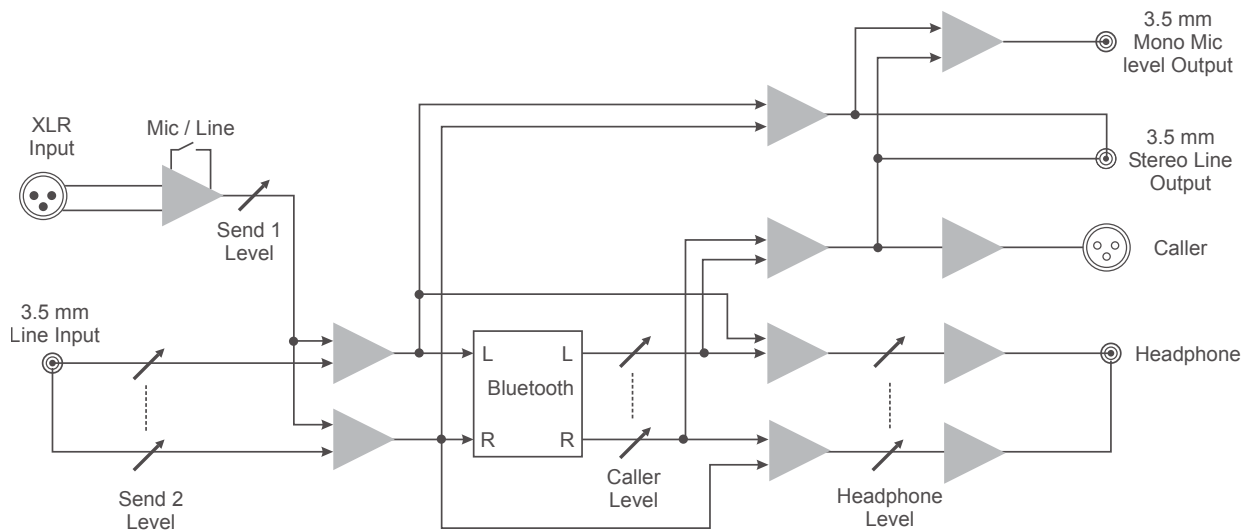
BlueKeeper™

Wireless Audio Gateway

7 kHz
HD VOICE



BLOCK DIAGRAM



SPECIFICATIONS

Input

Balanced Female XLR Mics:	1k ohms / 15 mV RMS; -34 dBu nom. (Mic/Line pad switch = +6 dBu max)
1/8" (3.5mm) Stereo Line:	20k ohms / 250 mV RMS; -10 dBu nom.; +6 dBu max

Output

Balanced Male XLR:	200 ohms / 500 mV RMS; -4 dBu nom.; +14 dBu max; Caller Only
1/8" (3.5mm) Stereo:	50 ohms / 250 mV RMS; -10 dBu nom.; +6 dBu max Left = Send; Right = Caller
1/8" (3.5mm) Mono:	50 ohms / 15 mV RMS; -34 dBu nom. Mixed Send and Caller
Headphone 1/4" Stereo:	8 ohms / 1/2 watt per channel Mixed Send and Caller

Bluetooth Wireless Technology



Standard:	Bluetooth 3.0
Frequency Response:	HF = full duplex voice, 300 Hz– 3.4 kHz HF (HD Voice) = full duplex voice, 50 Hz– 7 kHz A2DP = 30 Hz– 17 kHz, master to slave
Range:	33 ft (10m)

Misc.

Isolation:	1500 VAC
Power:	120-240 VAC Power Supply (included)
Size:	7" x 6" x 1.6" (18 x 15 x 4.2 cm)
Weight:	2.2 lbs. (1kg)